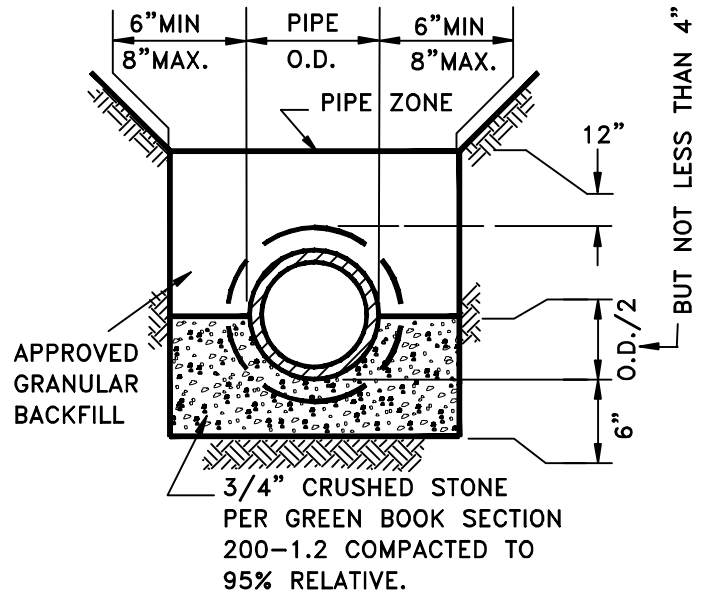
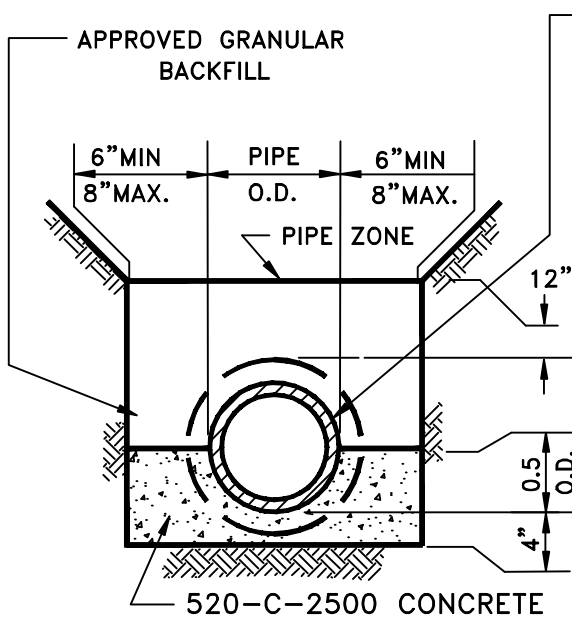


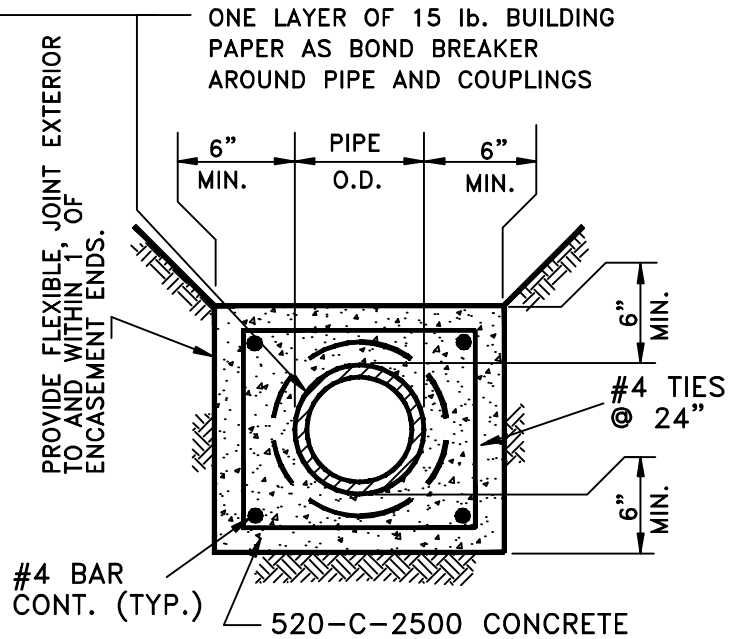
CASE I
NORMAL BEDDING
 (LOAD FACTOR = 1.5)



CASE II
SPECIAL BEDDING
 (LOAD FACTOR = 1.9)



CASE III
CONCRETE CRADLE
 (LOAD FACTOR = 3.0)



CASE IV
CONCRETE ENCASEMENT
 (LOAD FACTOR = 4.5)
 (PIPE OVER 15" REQUIRES SPECIAL DESIGN)

ALL BACKFILL SHALL BE PLACED IN ACCORDANCE WITH THE SPECIFICATIONS

AUGUST 2005

CITY OF CHIND HILLS		Approved by:
Revised: / /	by:	CITY ENGINEER
Revised: / /	by:	
Revised: / /	by:	

PIPE BEDDING: RIGID PIPES