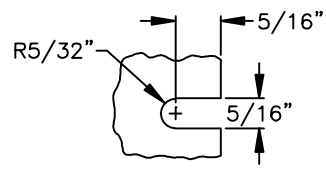
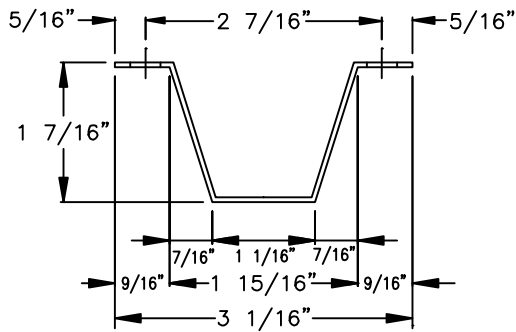
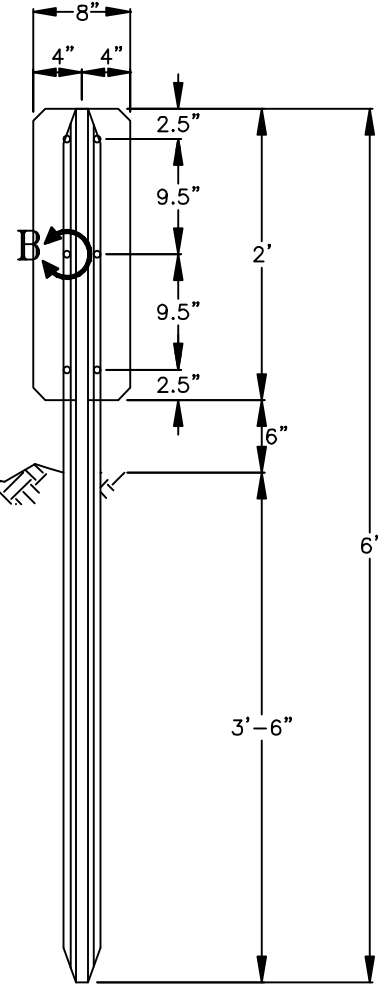
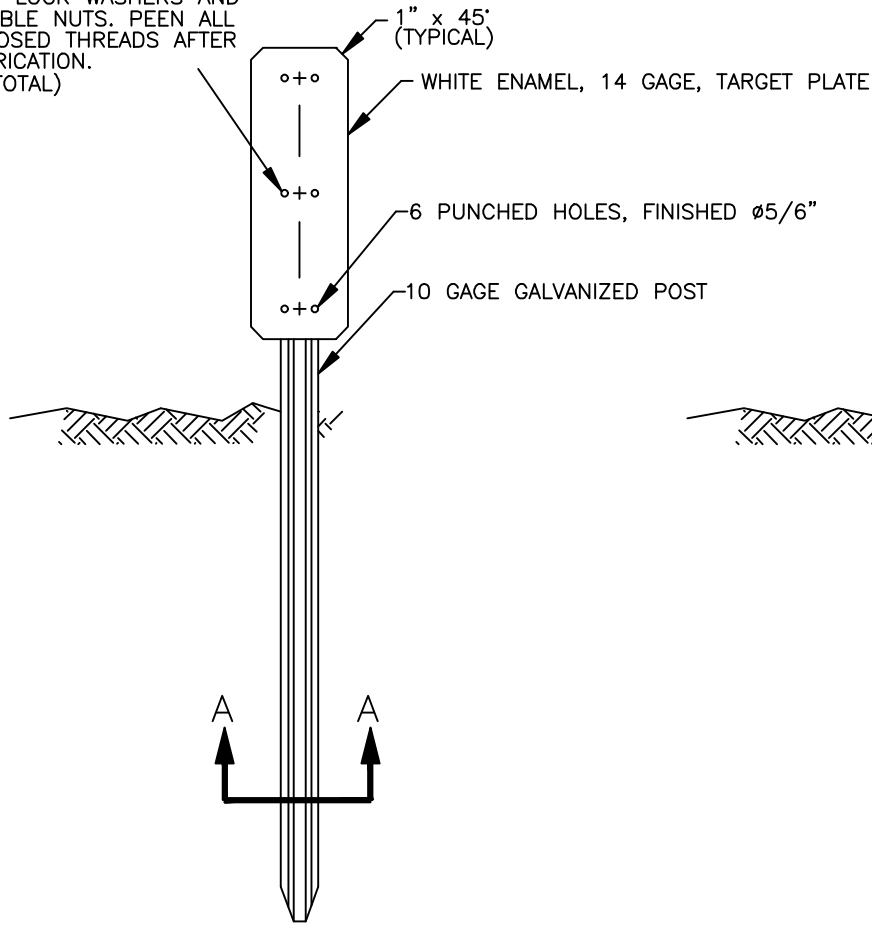


0.25" x 1" GALVANIZED BOLTS
WITH LOCK WASHERS AND
DOUBLE NUTS. PEEN ALL
EXPOSED THREADS AFTER
FABRICATION.
(6 TOTAL)



VIEW B

SECTION A-A

NOTES:

- INFORMATION REQUIRED ON FACE OF PLATE
1. NAME OF OWNER.
 2. TELEPHONE NUMBER.
 3. TYPE OF INSTALLATION WITH APPROPRIATE SUGN.
 4. DEPTH OF INSTALLATION FROM TOP OF MARKER.

CITY OF CHINO HILLS		UNDERGROUND UTILITY MARKER	SD110
	CHRIS VOGT CITY ENGINEER		