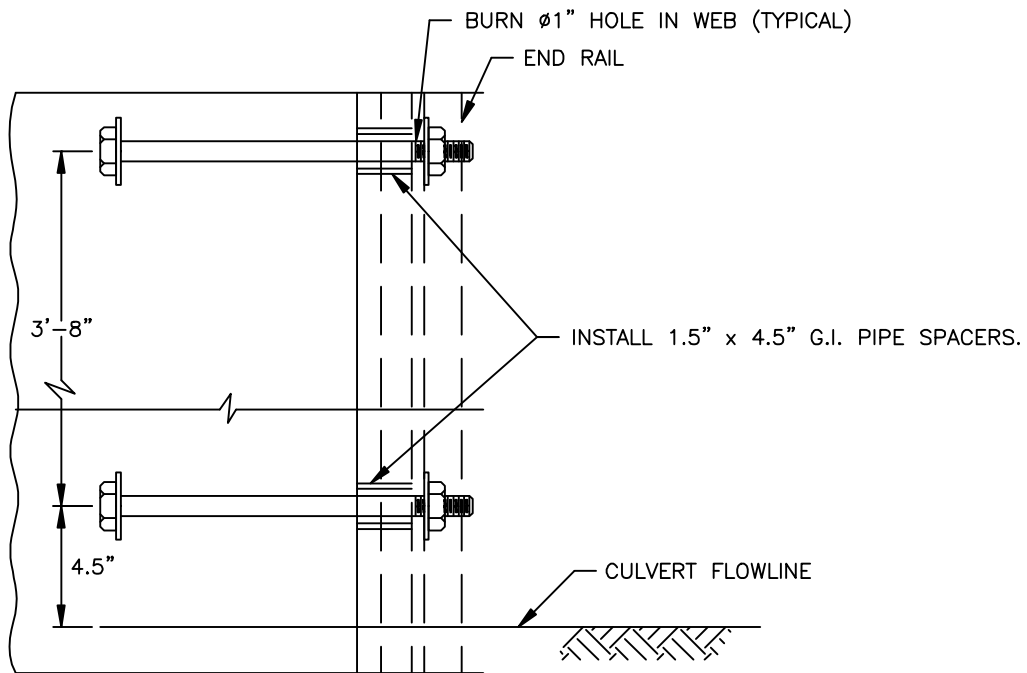


SECTIONAL PLAN

(BOLT DETAIL)



SECTION A-A

CITY OF CHINO HILLS		RAIL AND WIRE REVETMENT RAIL ANCHOR DETAIL (FOR INSTALLATION IN END OF WALLS)	SD106
CHRIS VOGT CITY ENGINEER			