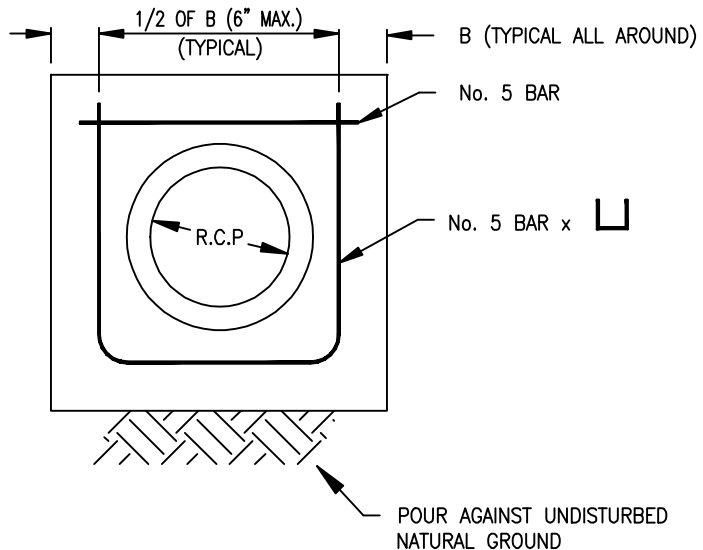
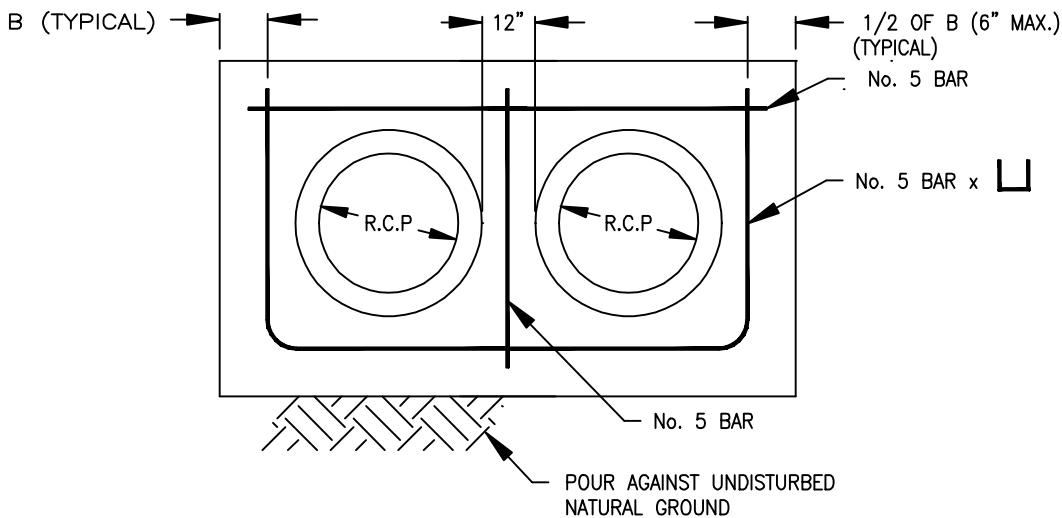


TYPICAL ELEVATION



SINGLE DRAIN



DOUBLE DRAIN

NOTES:

1. UNLESS OTHER NOTED ON THE PLANS, USE A = 12"; B = 12"
2. SEE PLANS FOR COLLAR LOCATION AND SPACING.
3. USE 560-C-3250 CONCRETE.

| | | | |
|-----------------------------------|--|------------------------------------|---------------------|
| <p>CITY OF CHINO HILLS</p> | <p><i>CHRIS VOGT</i> CITY ENGINEER</p> | <p>R.C.P. COLLAR DETAIL</p> | <p>SD102</p> |
|-----------------------------------|--|------------------------------------|---------------------|