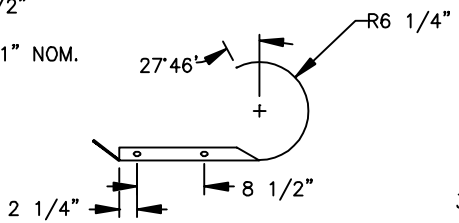
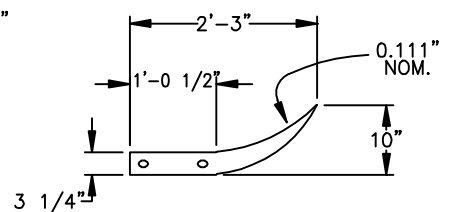


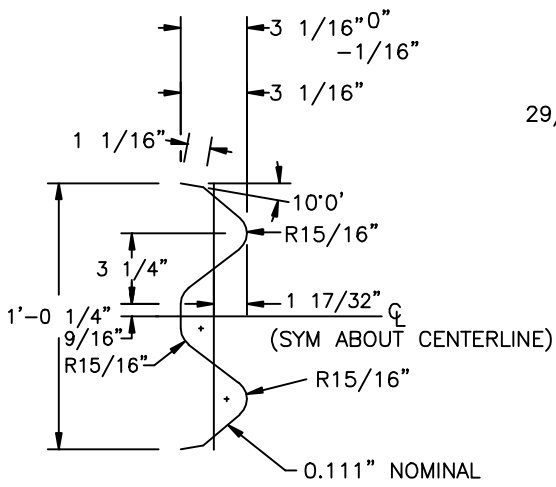
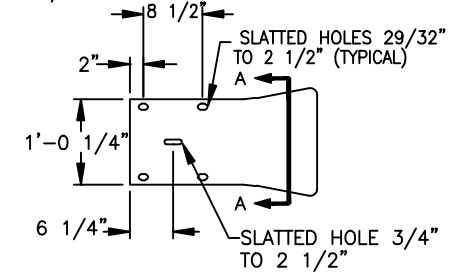
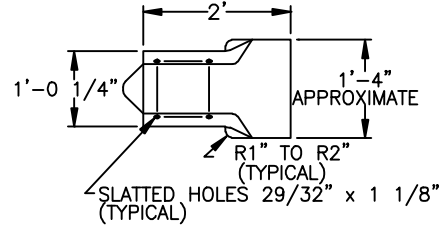
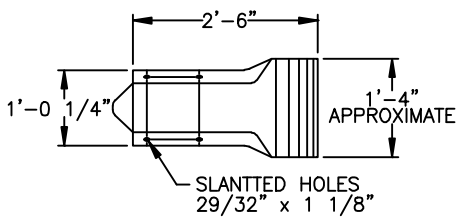
**RETURN SECTION**



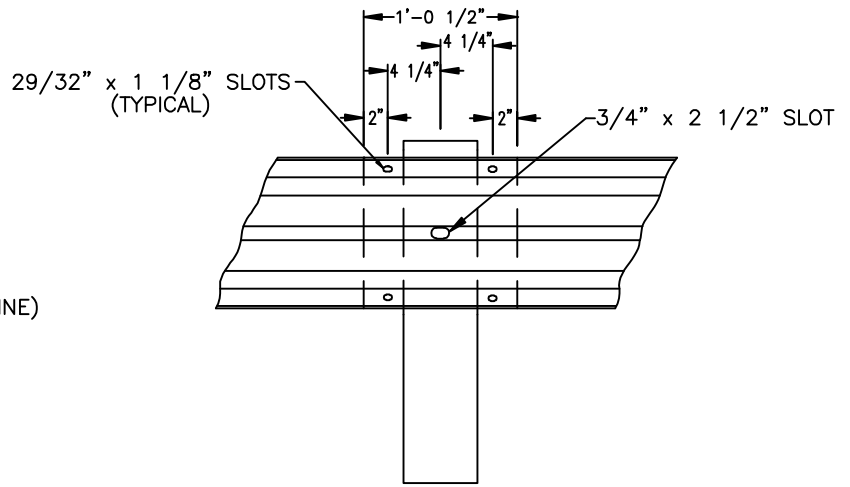
**TERMAINAL SECTION TYPE "A"**



**TERMAINAL SECTION TYPE "B"**

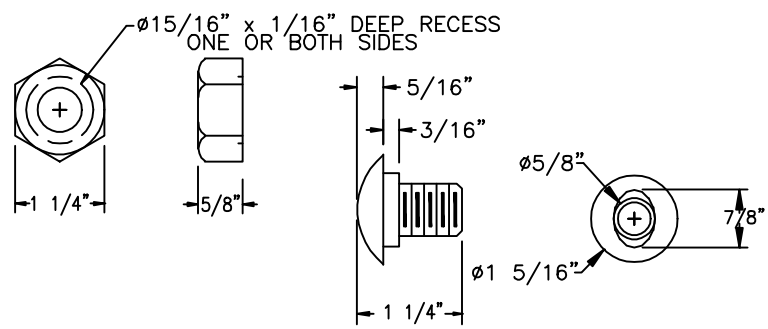


**SECTION THRU RAIL ELEMENT**

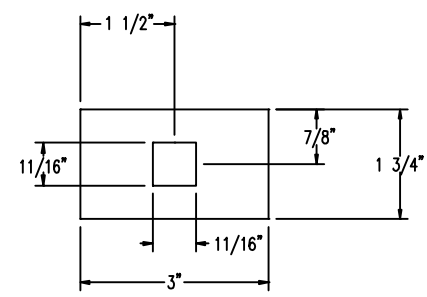


5/8" x 1 1/4" BUTTON HEAD OVAL SHOULDER BOLTS WITH 1 1/4" RECESSED HEX NUTS TOTAL 8 PER SPLICE AND 4 PER TERMINAL SECTION LAP IN DIRECTION OF TRAFFIC FLOW.

**RAIL SPLICE**



**5/8" RECESS NUT**



**FLAT PLATE WASHER**