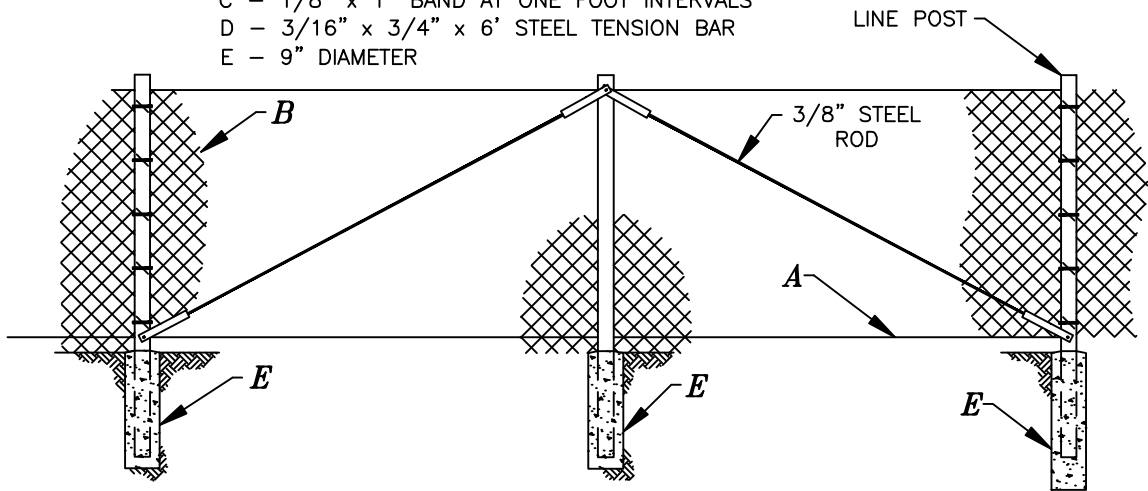
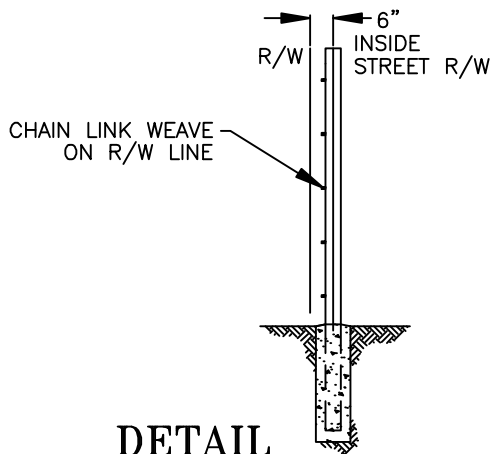


END BRACE

- A - TENSION WIRE NUMBER 10 GAGE
- B - CHAIN LINK FENCE FABRIC NUMBER 11 GAGE MINIMUM FOR 8' OR LESS AND NUMBER 9 FOR MORE THAN 8' HEIGHT
- C - 1/8" x 1" BAND AT ONE FOOT INTERVALS
- D - 3/16" x 3/4" x 6' STEEL TENSION BAR
- E - 9" DIAMETER



BRACE EVERY 500'



DETAIL

NOTES:

1. EACH POST SHALL BE CAPPED WITH A MALLEABLE IRON POST CAP, EXCEPT WHERE BARBED WIRE IS TO BE USED. POST SHALL BE CAPPED WITH A GALVANIZED MALLEABLE IRON 3 STRAND BARBED WIRE ARM AND CAP.
2. MATERIALS AND CONSTRUCTION OF FENCE SHALL CONFORM TO STANDARD SPECIFICATIONS FOR PUBLIC WORKS CONSTRUCTION, UNLESS SHOWN OTHERWISE.

CITY OF CHINO HILLS

CHRIS VOGT
CITY ENGINEER

RIGHT-OF-WAY FENCE

300