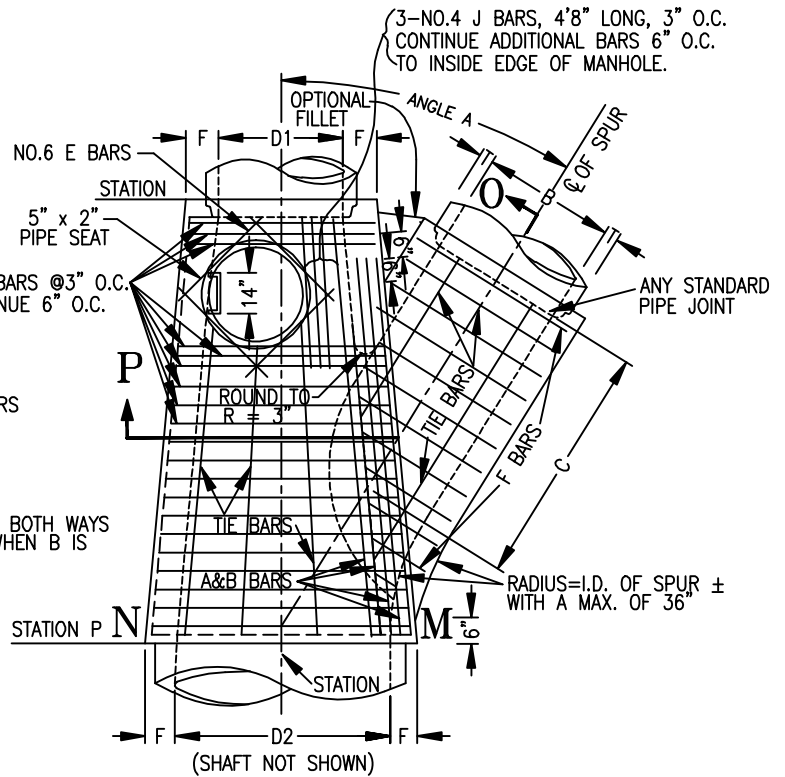
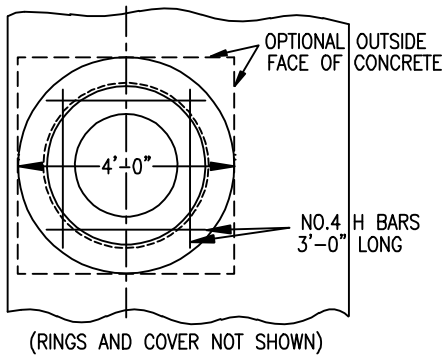


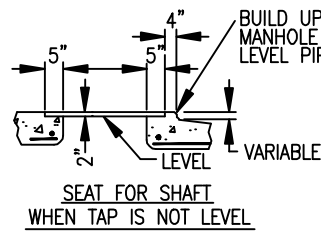
**SECTION N-M-P-O**



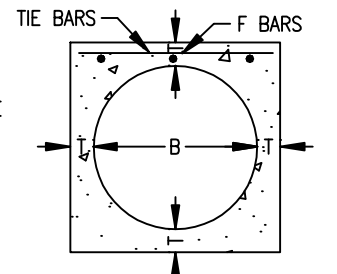
**PLAN**



**PLAN**

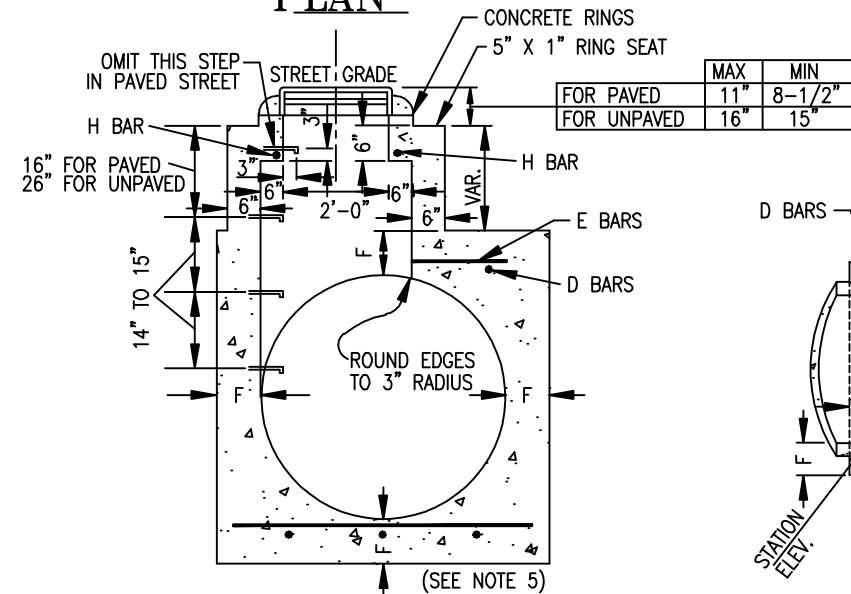


**SEAT FOR SHAFT WHEN TAP IS NOT LEVEL**

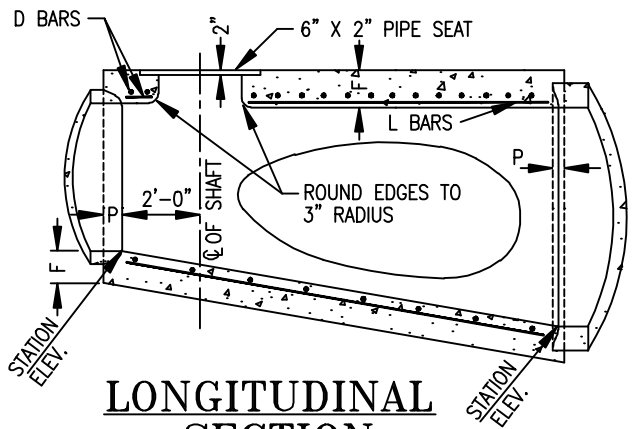


**SECTION G-G**

TABLE OF BAR SIZES		
D2 or B	A & B BARS	D or F BARS
12"-39"	NO.5 @3"	NO.4 @6"
42"-84"	NO.6 @3"	NO.5 @6"
90"-144"	NO.7 @3"	NO.6 @6"



**DETAIL M**



**LONGITUDINAL SECTION**