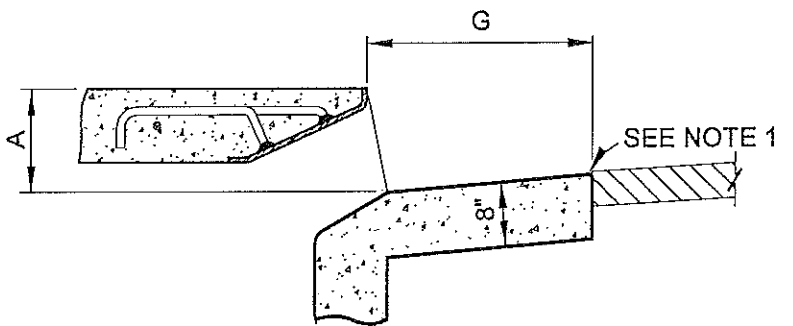


ELEVATION

NOTES:

1. ELEVATIONS SHALL BE SHOWN ON THE CONSTRUCTION PLANS. THE OUTER EDGE OF THE LOCAL DEPRESSION AND SHALL CONFORM TP THE FINISHED STREET SURFACE.
2. G = WIDTH OF EXISTING GUTTER.
3. A = CURB FACE + 2".
4. LOCAL DPRESSION SHALL BE CONSTRUCTED OF CLASS 560-C-3250 CONCRETE, 8-INCH THICK.



SECTION A-A

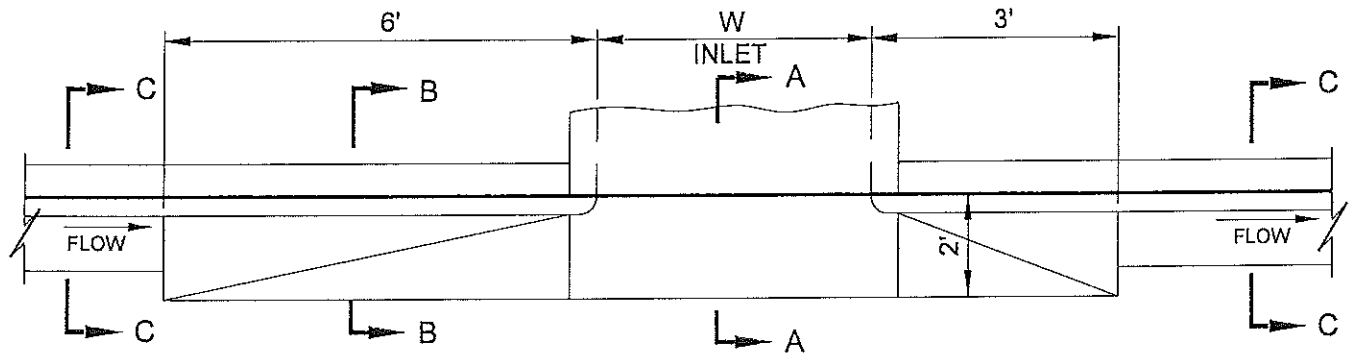
APPR. BY: *Steven C. Nix* 10/11  
 STEVEN C. NIX, CITY ENGINEER DATE

CITY OF CHINO HILLS  
 ENGINEERING DEPARTMENT

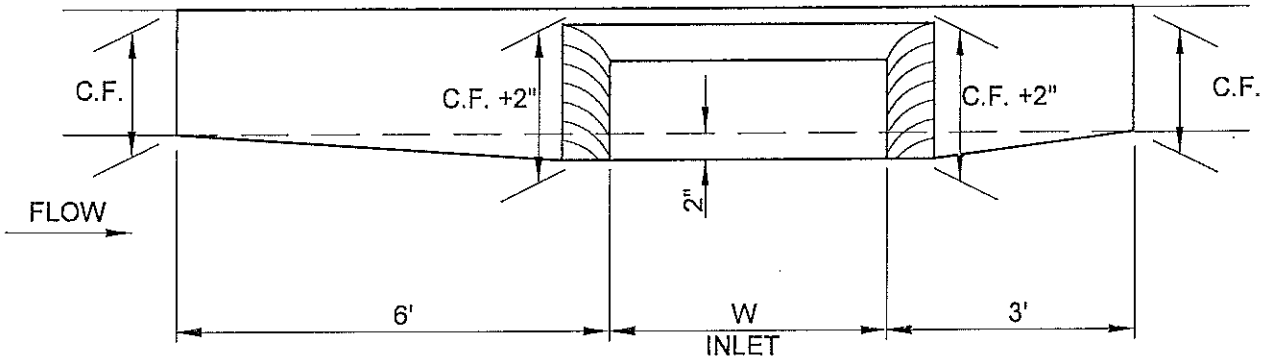
DATE	REVISION	BY

LOCAL DEPRESSION  
 SUMP

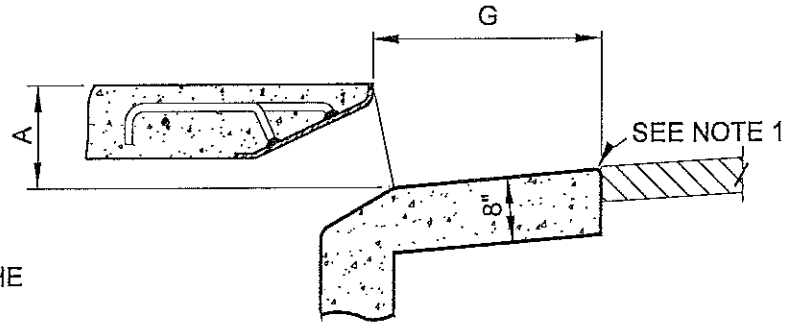
202  
 1 of 2



PLAN



ELEVATION



SECTION A-A

**NOTES:**

1. ELEVATIONS SHALL BE SHOWN ON THE CONSTRUCTION PLANS. THE OUTER EDGE OF THE LOCAL DEPRESSION AND SHALL CONFORM TP THE FINISHED STREET SURFACE.
2. G = WIDTH OF EXISTING GUTTER.
3. A = CURB FACE + 2".
4. LOCAL DPRESSION SHALL BE CONSTRUCTED OF CLASS 560-C-3250 CONCRETE, 8-INCH THICK.

APPR. BY:  10/11  
 STEVEN C. NIX, CITY ENGINEER DATE

CITY OF CHINO HILLS  
 ENGINEERING DEPARTMENT

DATE	REVISION	BY

LOCAL DEPRESSION  
 FLOW-BY

202  
 2 of 2