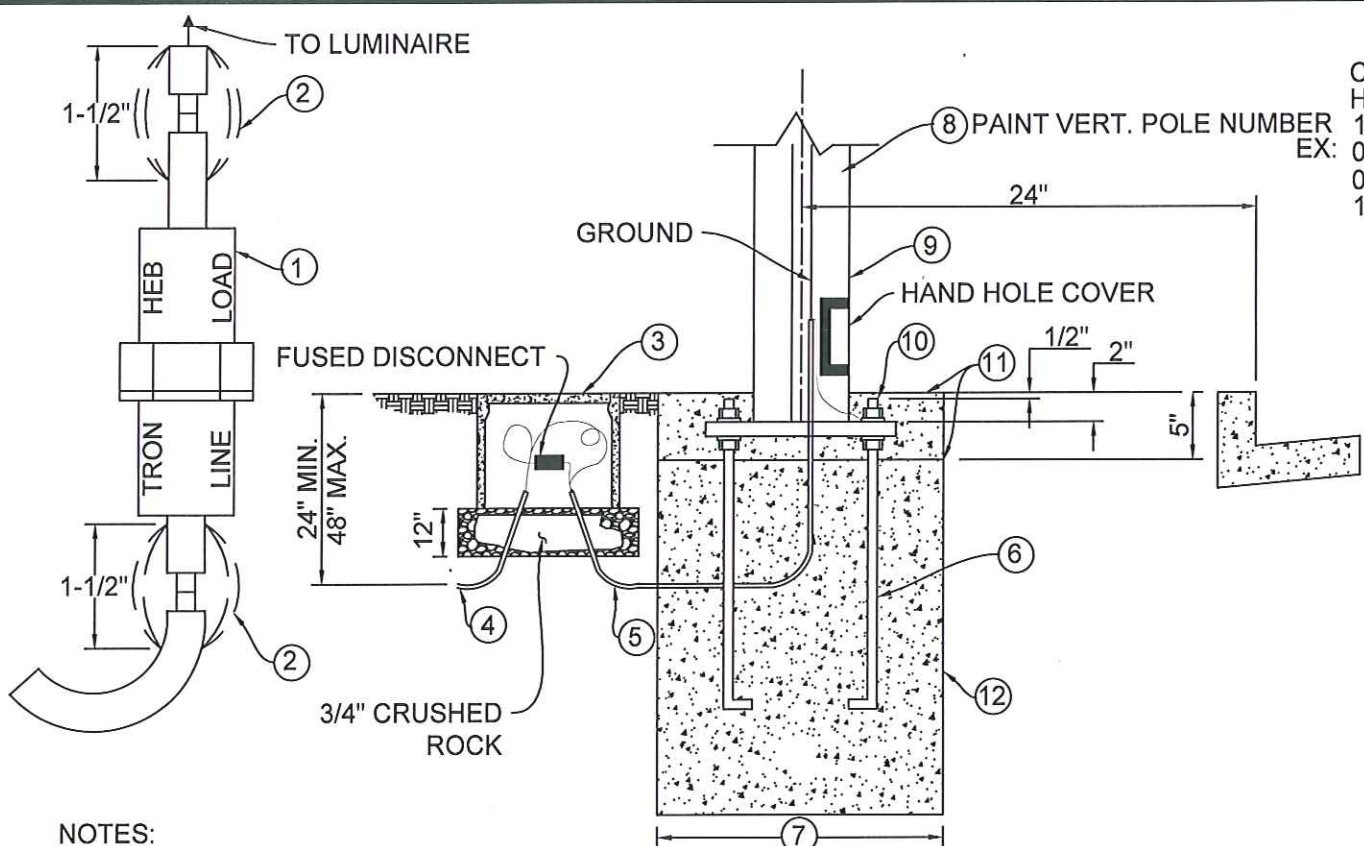


CH 1001



NOTES:

- ① FUSEHOLDER HEB-120V/HEB-240V WITH FNQ FUSE, BUSSMAN MFG. DIVISION OR EQUAL. REFER TO FUSE CHART.
- ② APPLY 3 LAYERS OF ELECTRICAL TAPE NO. 23 (3-M COMPANY) AND 3 LAYERS OF TAPE NO. 88 OR EQUAL (TYPICALLY 2 PLY). SEAL WITH AN APPROVED COMPOUND TO PROVIDE A WATER TIGHT SPLICE.
- ③ BROOKS NO. 3-1/2 PULLBOX OR APPROVED EQUAL. COVER TO BE INSCRIBED WITH "CHINO HILLS STREET LIGHTING."
- ④ FEED CONDUIT 1-1/2" PVC. SCHEDULE 40.
- ⑤ 1-1/2" P.V.C. SCHEDULE 40.
- ⑥ FOUR ANCHOR BOLTS, HOT DIPPED GALVANIZED 1" X 36" X 4". PER ASTM D2219.
- ⑦ UTILITY COMPANIES SHALL NOT INSTALL THEIR FACILITIES WITHIN THIS AREA.
- ⑧ PAINT POLE NUMBER PER STREET LIGHT GENERAL NOTES.
- ⑨ PRESTRESSED CONCRETE STANDARD MOUNTED ON CENTER OF FOUNDATION.
- ⑩ BOLTS TO PROJECT 4-1/2" ABOVE FOUNDATION.
- ⑪ FIVE INCH CAP, SLOPED AT 1/4" PER FOOT TO TOP OF CURB.
- ⑫ P.C.C. 560-C-3250, PER SECTION 201 OF STANDARD SPECIFICATIONS FOR PUBLIC WORKS CONSTRUCTION, LATEST EDITION. FOUNDATION DIMENSIONS ARE AS FOLLOWS: POLES "A" & "B" = 24" X 24" X 48" AND POLES "C", "D", AND "E" = 30" X 30" X 48" AS INDICATED IN STREET LIGHT STD. DWG. NO. 409.

APPR. BY: Nadeem Majaj 9/20/16
 NADEEM MAJAJ, P.E. DATE
 DIR. PUBLIC WORKS

CITY OF CHINO HILLS
 ENGINEERING DIVISION

DATE	REVISION	BY

STREET LIGHT
 FOUNDATION

407